

Job Name: \_\_\_\_\_  
 Location: \_\_\_\_\_  
 Contact #: \_\_\_\_\_



## Specifications

### Model

499580– Chrome finish  
 499587– Brushed Nickel With PVD finish

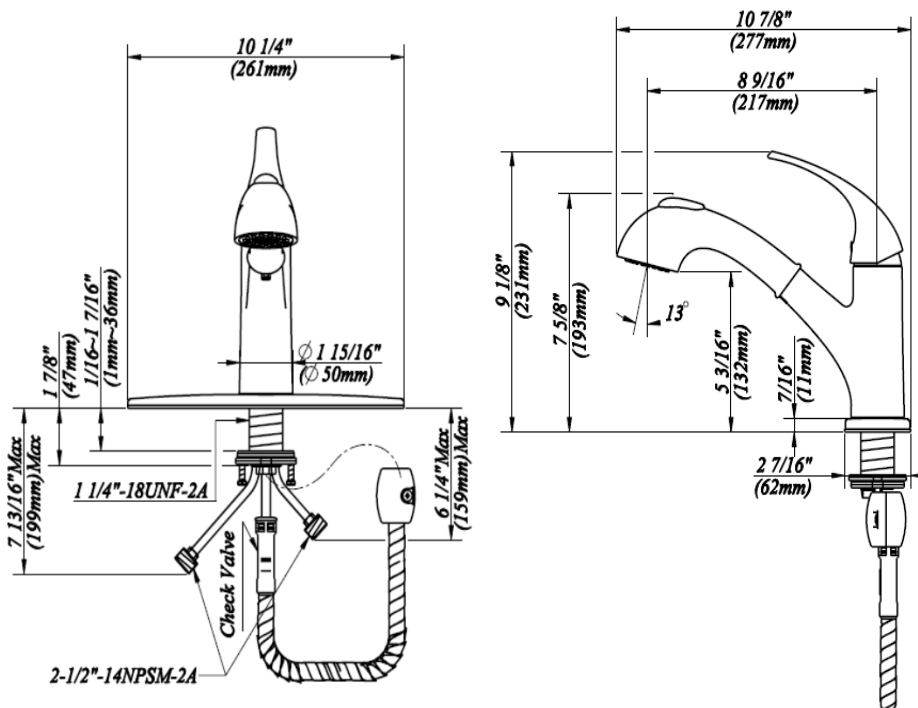
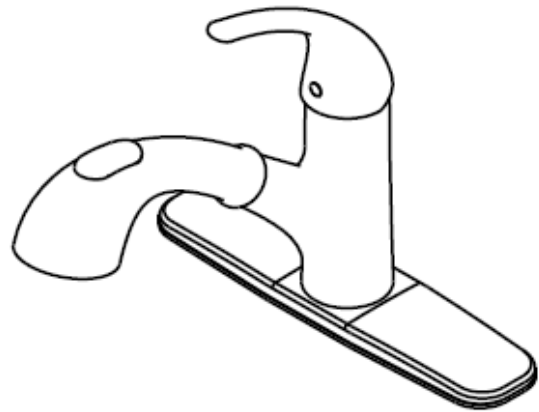
### Description

- o Fits 8" center holes
- o Drip-free ceramic cartridge
- o Metal lever handle
- o With pull-out spray
- o Water saving aerator
- o Max flow rate: 1.8 GPM at 60Psi
- o Meet ADA requirement
- o 100% factory pressure tested before shipment

### Standards

- o ASME A112.18.1M/A112.18.1
- o CSA B125
- o NSF/ANSI 61 – Sec. 9
- o NSF/ANSI 372
- o IAPMO/cUPC
- o ADA
- o Calgreen

## 8" Single Handle Kitchen Faucet



NSF/ANSI 372  
 NSF/ANSI 61-9



CALGreen



Technical Support

888-328-2383

Manufacturer model# FP4A4061

# Warranty Parts List

## 8" Single Handle Kitchen Faucet

#	Description	Part #
1	Metal Handle	A069208
2	Handle Cap	A66D558
3	Trim Cap	A103290-P
4	Locking Nut	A104049
5	Ceramic Disc Cartridge	A507906N
6	Spray Head	A523455W
7	Cover Plate & Putty Plate	A667003
8	Hose Adaptor Assembly	A66G142N
9	Mounting Hardware Assembly	A603171
10	Spray Hose	A66D561N-T
11	Base Trim Ring	A66F490
12	Weight	A504718
13	Wrench	A031025
14	Hex Wrench (H2.5 * 19 mm L * 53 mm L)	A031000NI
15	O-Ring(Φ1/4" ID * Φ3/8" OD)	A668178N
16	Check Valve	A519253N

